

Figure A1

# EZ6 Truss 90 Degree Corner Bracket

Figure A2

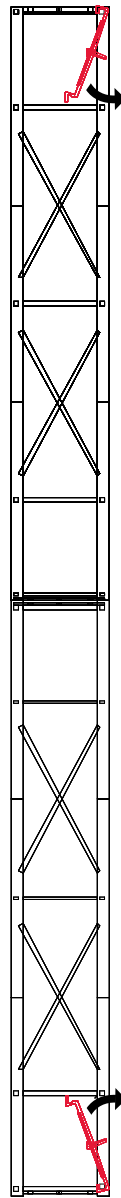


Figure B2

Figure A3

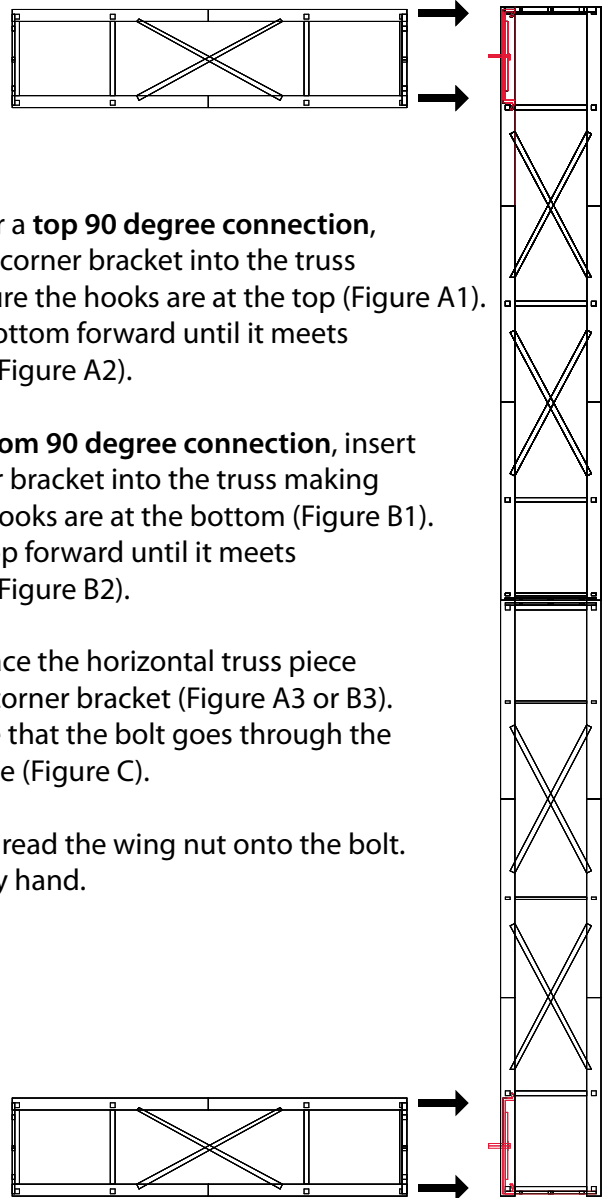


Figure B3

Step 1. For a **top 90 degree connection**, insert the corner bracket into the truss making sure the hooks are at the top (Figure A1). Pull the bottom forward until it meets the truss (Figure A2).

For a **bottom 90 degree connection**, insert the corner bracket into the truss making sure the hooks are at the bottom (Figure B1). Pull the top forward until it meets the truss (Figure B2).

Step 2. Place the horizontal truss piece onto the corner bracket (Figure A3 or B3). Make sure that the bolt goes through the center hole (Figure C).

Step 3. Thread the wing nut onto the bolt. Tighten by hand.

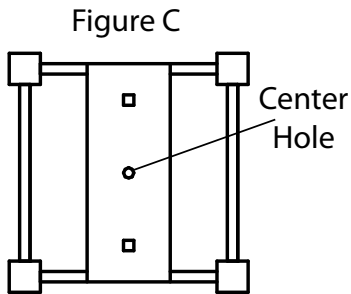
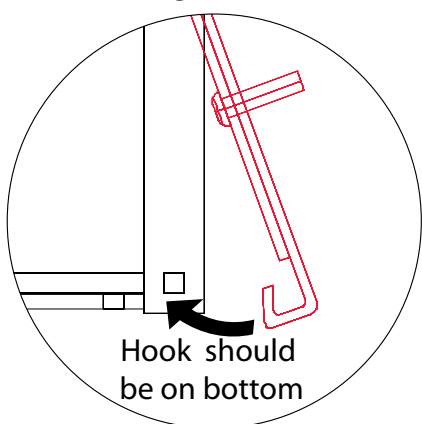


Figure B1



Hook should be on bottom