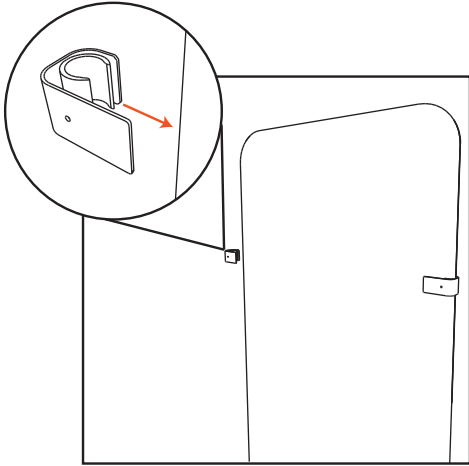
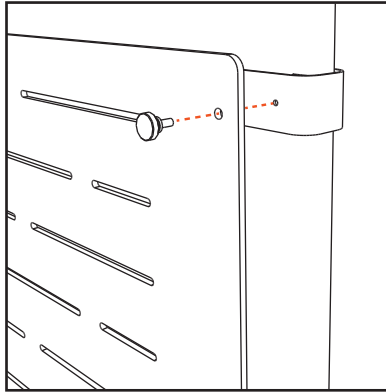


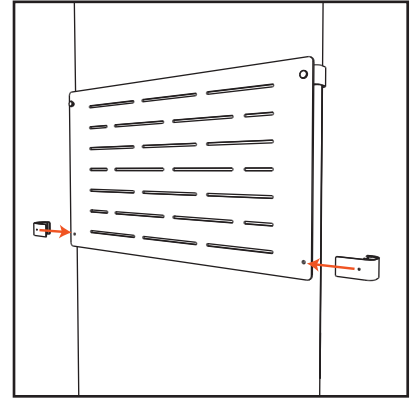
Slatwall panel supports 40" Ensemble A frames.



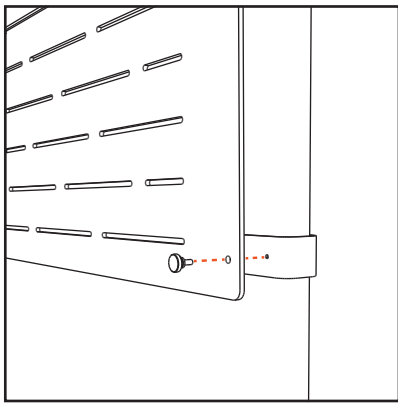
1. Attach two support clips to the left and right sides of the frame at the desired height.



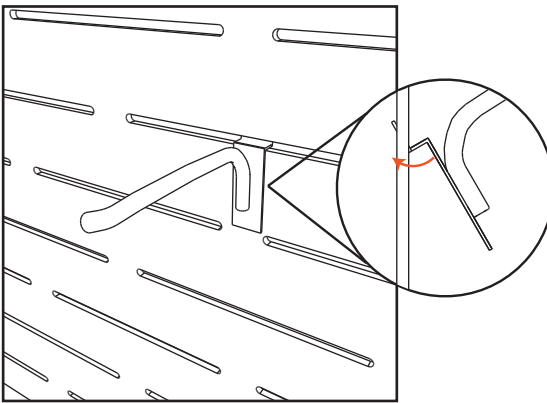
2. Lining up the slatwall panel with the screw holes, use the thumbscrews to mount slatwall to the support clips.



3. Attach bottom two support clips, aligning them with the bottom screw holes.

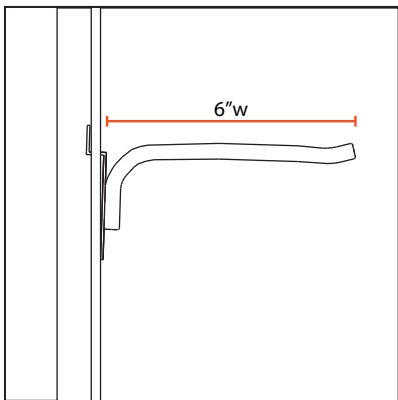


4. Use the thumbscrews to mount bottom slatwall corners to the support clips.

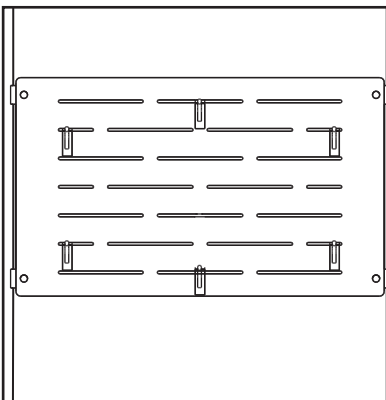


5. Attach slatwall accessories (not included). See *Slatwall Accessory Guidelines* for more information.

Slatwall Accessory Guidelines



Slatwall accessories should not exceed 6" in width and should support 1/4" deep slatwall.



Slatwall panel supports up to 12 lbs. Evenly distribute weight across slatwall panel.

