

Item or Sticker Qty



x4



x4



x4



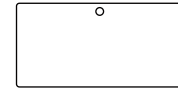
x4



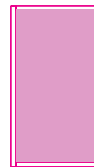
x4



x1



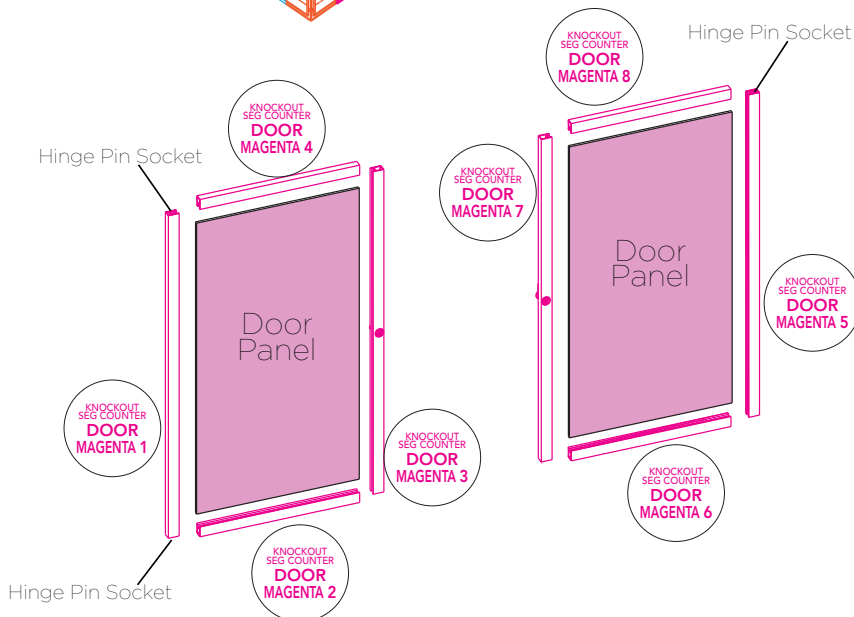
x1



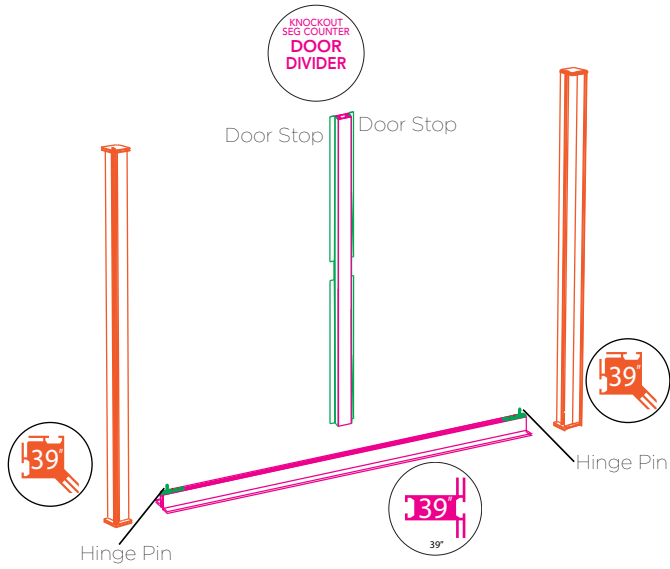
x2



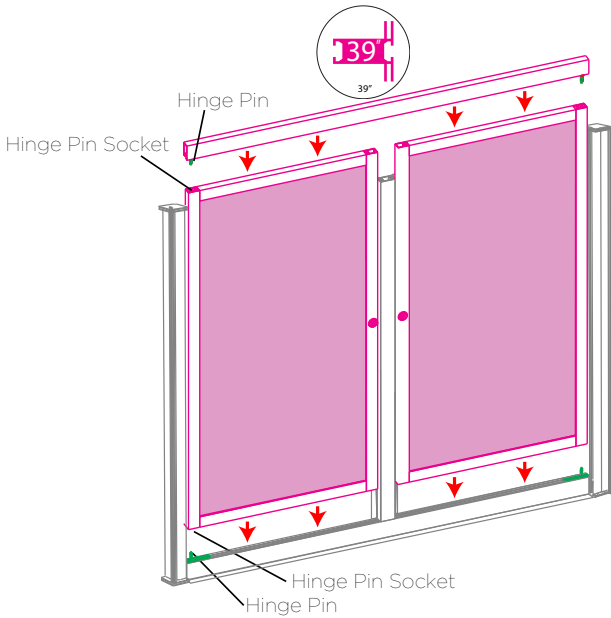
x1



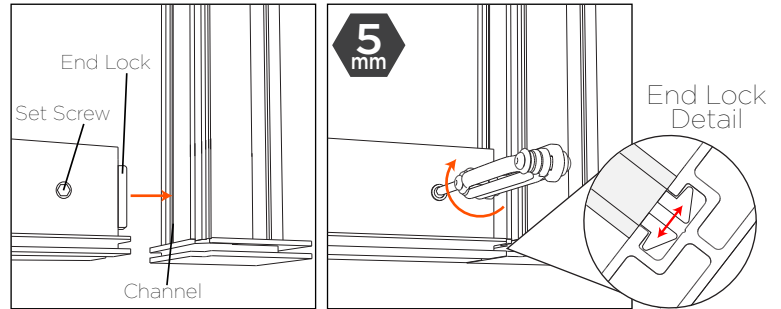
1. Assemble the doors, trapping the door panels inside.
 Note: Doors may already be preassembled.



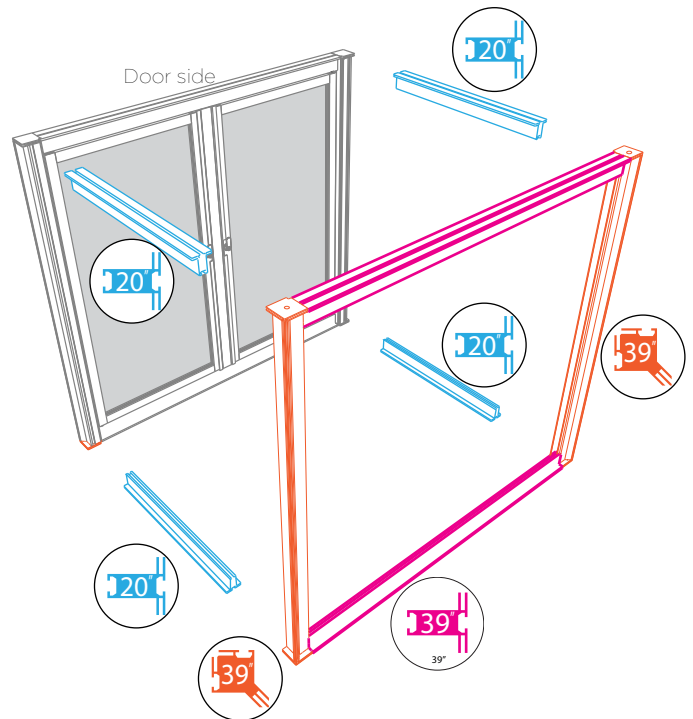
2. Assemble the counter side that will hold the two doors. Attach the door divider in the center of one of the 39" pieces with two hinge pins. Note: The door stops will be on the side facing the inside of the counter.



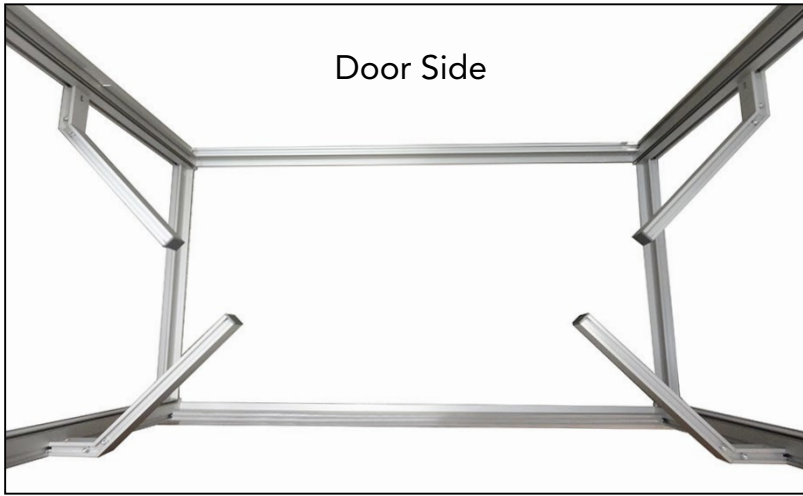
3. Complete the counter side by installing the doors. The hinge pins slide inside the hinge pin sockets on the door vertical. Hold the doors in place while installing the top bar with hinge pins.



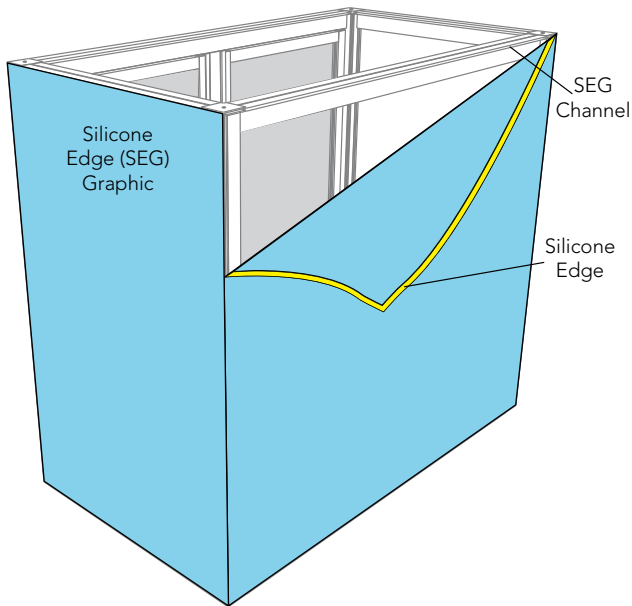
When attaching two pieces together, slide the end lock inside the channel of the other piece. Tighten the set screw to cause the end lock's jaws to spread and grip the inside of the channel. Do not overtighten.



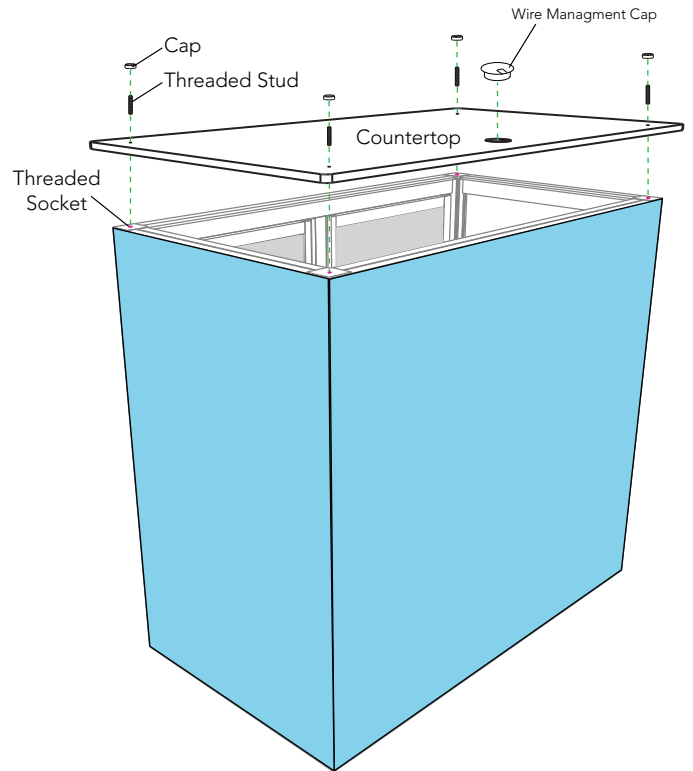
4. Complete the counter base as seen above.



5. Install the optional counter shelf brackets to the corner posts. Set the shelf on the brackets.



6. Install the fabric "SEG" graphics. See page 4 for detailed instructions.



7. Install the countertop using 4 threaded studs and 4 caps. Optionally, install the wire management cap over the wire management port.



Graphic Installation

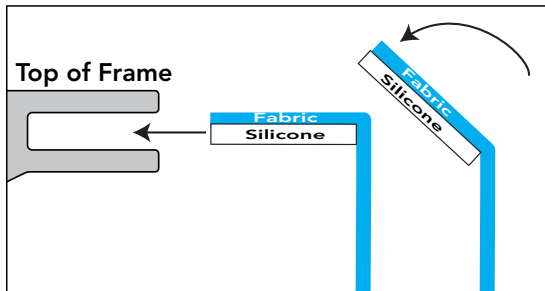


Caution! Installing silicone-edged graphics is technique sensitive; Practice will shorten installation time.



Handle graphics with care with clean hands in a clean environment. Cloth or latex gloves recommended. Keep graphics away from sharp objects.

1. Starting in top-left corner, turn and tuck graphic and silicone into the channel. (#1 on diagram)
Use your fingertip (not fingernail) for installation.



2. Work across the top, tacking the graphic into the center of the frame. (#2 on diagram)
3. Tuck top, right corner into channel. (#3 on diagram)
4. Tuck remainder of top edge of graphic into top channel. (#4 on diagram)
5. Inspect graphic for hard fold lines in the fabric.
If desired, smooth them out using a fabric steamer.
6. Tuck bottom two corners. (#6 on diagram)
7. Tack middle of sides. (#7 on diagram)
8. Working from top to bottom, tuck remaining silicone in on both sides. (#8 on diagram)
9. Tack middle of bottom. (#9 on diagram)
10. Tuck remaining bottom edge, working from outside to inside. (#10 on diagram)
11. Repeat installation steps for additional fabric graphics.

