

Flat Helium Display Assembly Instructions

Note: Assembly is the same for all sizes of flat Helium displays

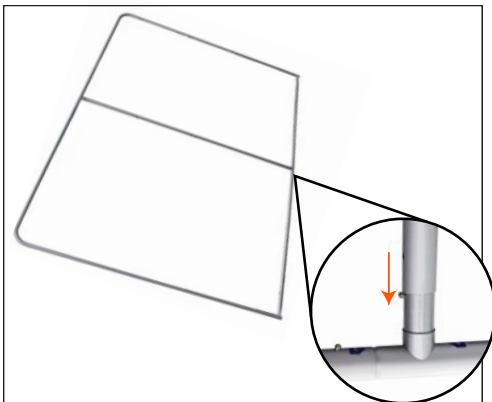


1. Assemble bungeed poles.

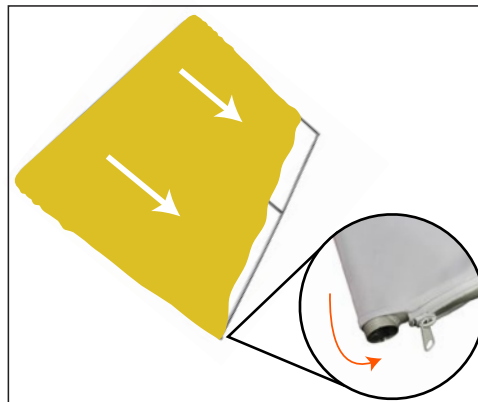


2. Lay pieces out, matching up stickers.

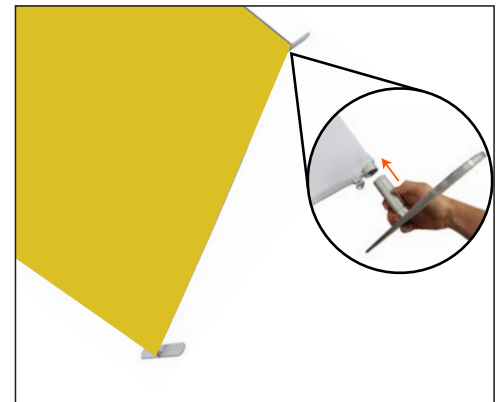
Need Help?
Scan the QR code or go to <https://youtu.be/6RW2EjezFfo> to watch an assembly video.

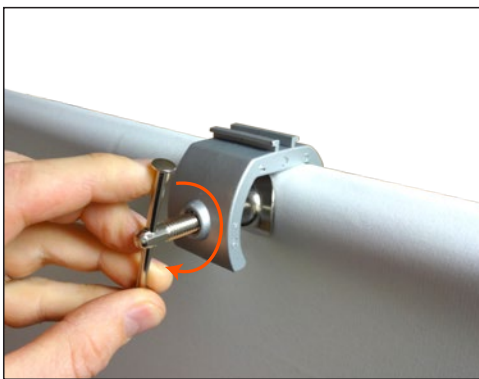
3. Assemble the frame by connecting the center support and all perimeter pieces of the frame.



4. Slide the fabric graphic over the frame. Pull the graphic area with the zipper head around corner of the frame. Zip up the graphic.



5. Attach the feet and stand the display up. Note: Feet should align to the outer edge of the frame.



6. Attach optional light clamps to the top bar in desired locations.
Tip: It is easier to do this before standing the display up.



7. Connect LED lights to the clamp.

