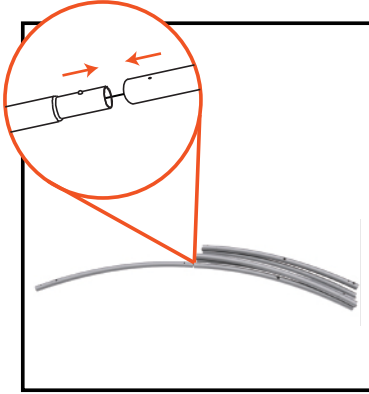
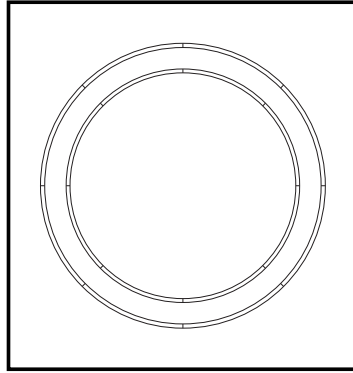




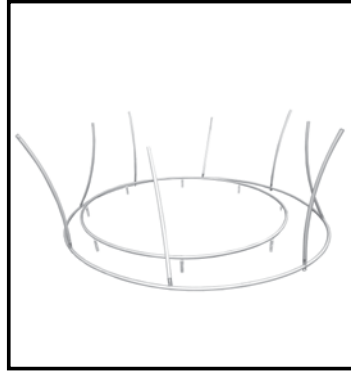
Handle graphics with care with clean hands in a clean environment. Clean cloth or latex gloves are recommended.



1. Expand the two sets of bungeed poles. Push pole connectors together to form two complete rings.



2. Place both rings on the ground so the smaller ring is inside the larger one.



3. Attach the curved support poles to the larger ring so that the curved area is facing inward. Screws should not be tightened at this stage.



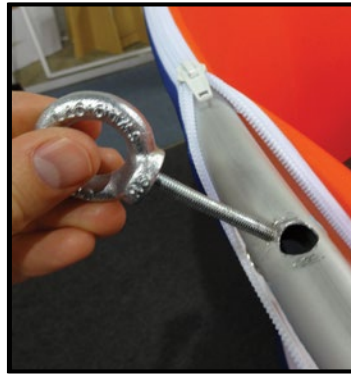
4. Connect the smaller ring to each of the support poles. Two people are recommended for this.



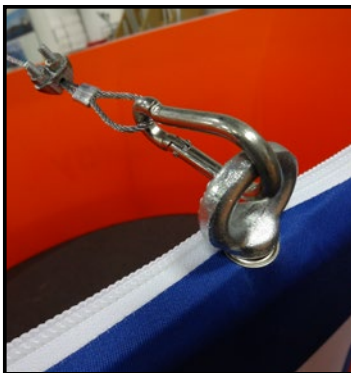
5. Flip the frame so the larger ring is on top. Pull the graphic up through the bottom and zip around the edge.



6. Start the zipper at one eyebolt.



7. When you reach a metal grommet in the graphic, unscrew and remove the corresponding eyebolt. Reinsert the eyebolt through the grommet and tighten. Continue zipping the graphic around the perimeter.



8. Secure carabiners to the eyebolts found on top of the hanging sign.



9. Hang the sign by the center eyebolt.

