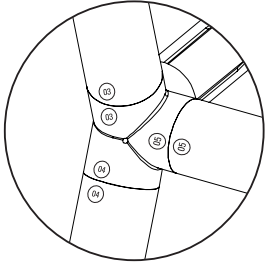
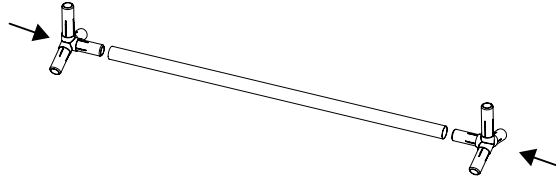


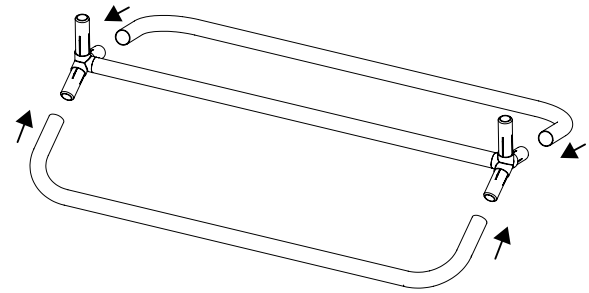
# StoreFront Product Stand Shelf Rack Assembly Instructions



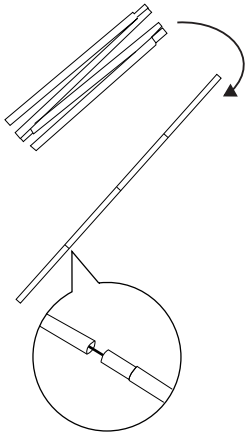
**NOTE: Ensure part labels match**



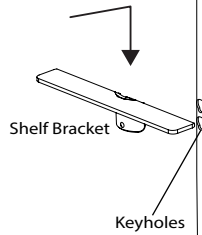
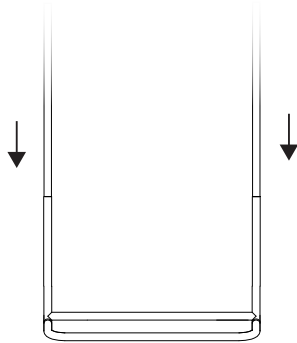
1. Begin building the center of the base by installing the corner pieces on each end of the center base pole.



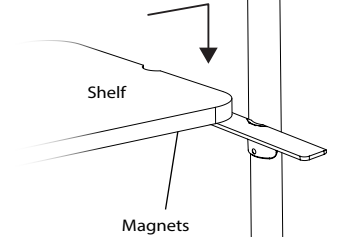
2. Complete the base assembly by adding the two poles with curved ends.



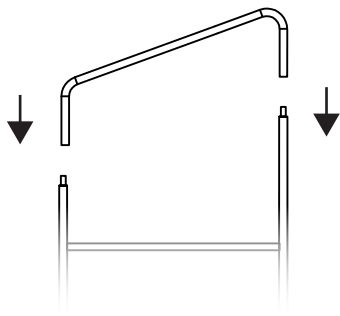
3. Extend the bungeed vertical poles and attach them to the base.



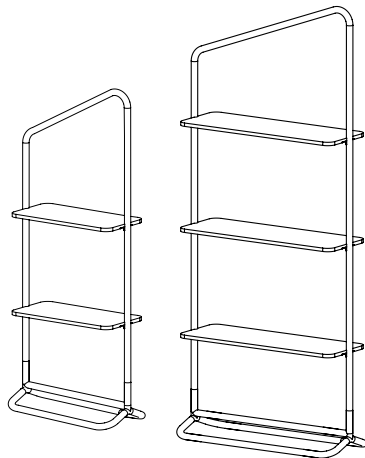
4. Attach the shelf brackets to the keyholes in the vertical poles.



5. Set the shelves on top of the brackets so the magnets snap onto the brackets.

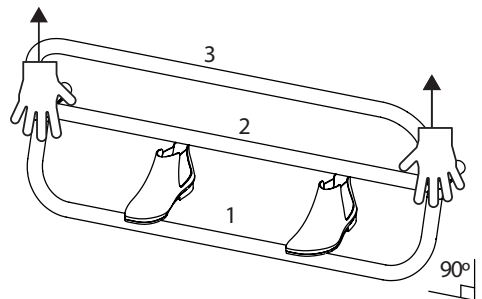


5. Install the angled top after the shelves are installed. Evenly press on both ends during installation.



Assembly is the same for any size StoreFront Shelf Rack.

## DISASSEMBLY



Take the display apart in reverse assembly order. If it is difficult to disassemble the base, place feet as shown above. Pull up at both ends of pole 2 to remove pole 1. Pull with even pressure. Flip the part and repeat to remove tube 3.