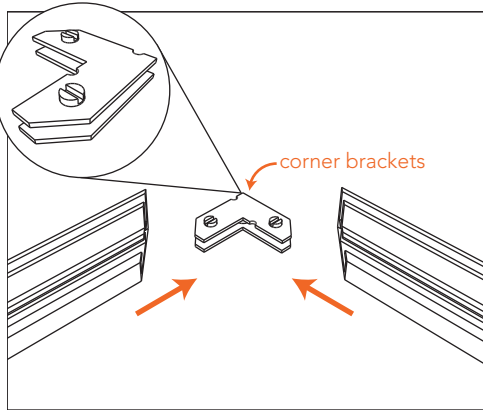


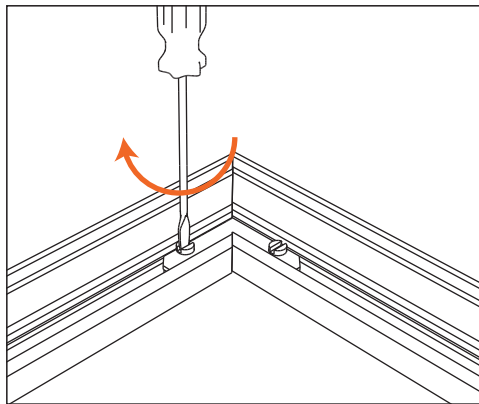
# Switch-It / Exchange Frame Assembly Instructions

Tools required. Screw driver not included.

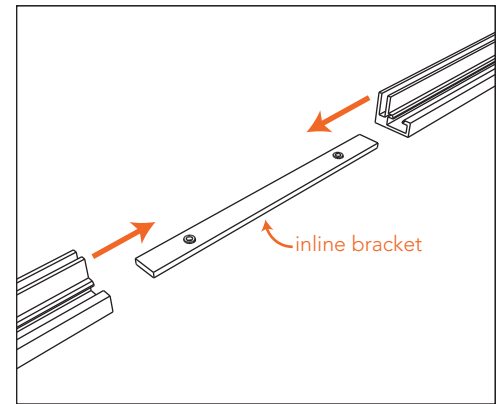
Note: Assembly is the same for all frame sizes.



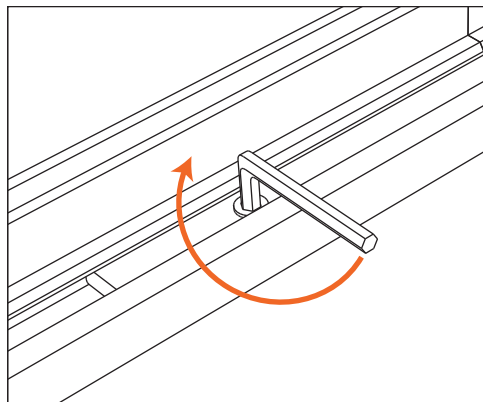
1. Stack corner brackets with the screwed bracket on top. Insert corner brackets into each corner.



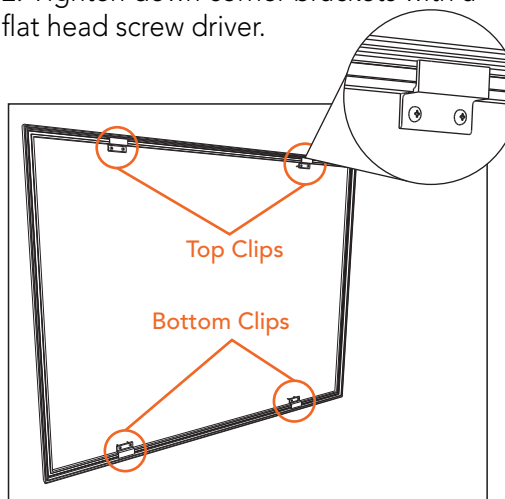
2. Tighten down corner brackets with a flat head screw driver.



3. Sides over 6 feet long will require inline connectors. Insert straight brackets to connect frame.



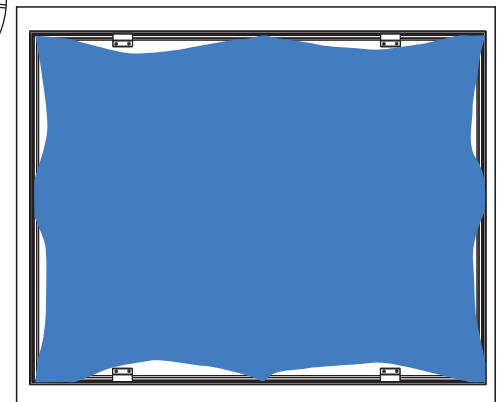
4. Tighten down set screws with the provided 3mm allen key.



4. Using a level, mark desired location of frame on wall.

5. Mount top wall hanging clips to wall.

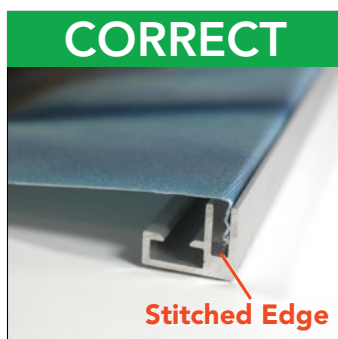
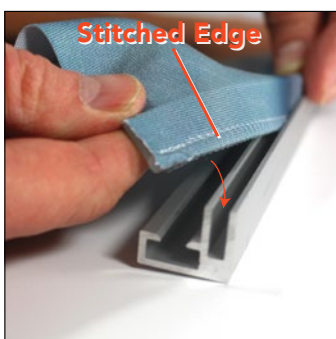
6. Mount bottom clips to keep frame flat against the wall.



7. Tuck silicone gasket of graphic into the channel around the perimeter of the frame. The graphic edge that is stitched with thread goes into the channel first.

For best results, follow this order:

- A. Tuck all four corners
- B. Tuck the middle of each side
- C. Tuck in remaining graphic



**Need Help Installing Graphics?**  
Scan the QR code or go to [displayit.com/seg](http://displayit.com/seg) to watch a video.

